



Air wave receiver device list

Component listing

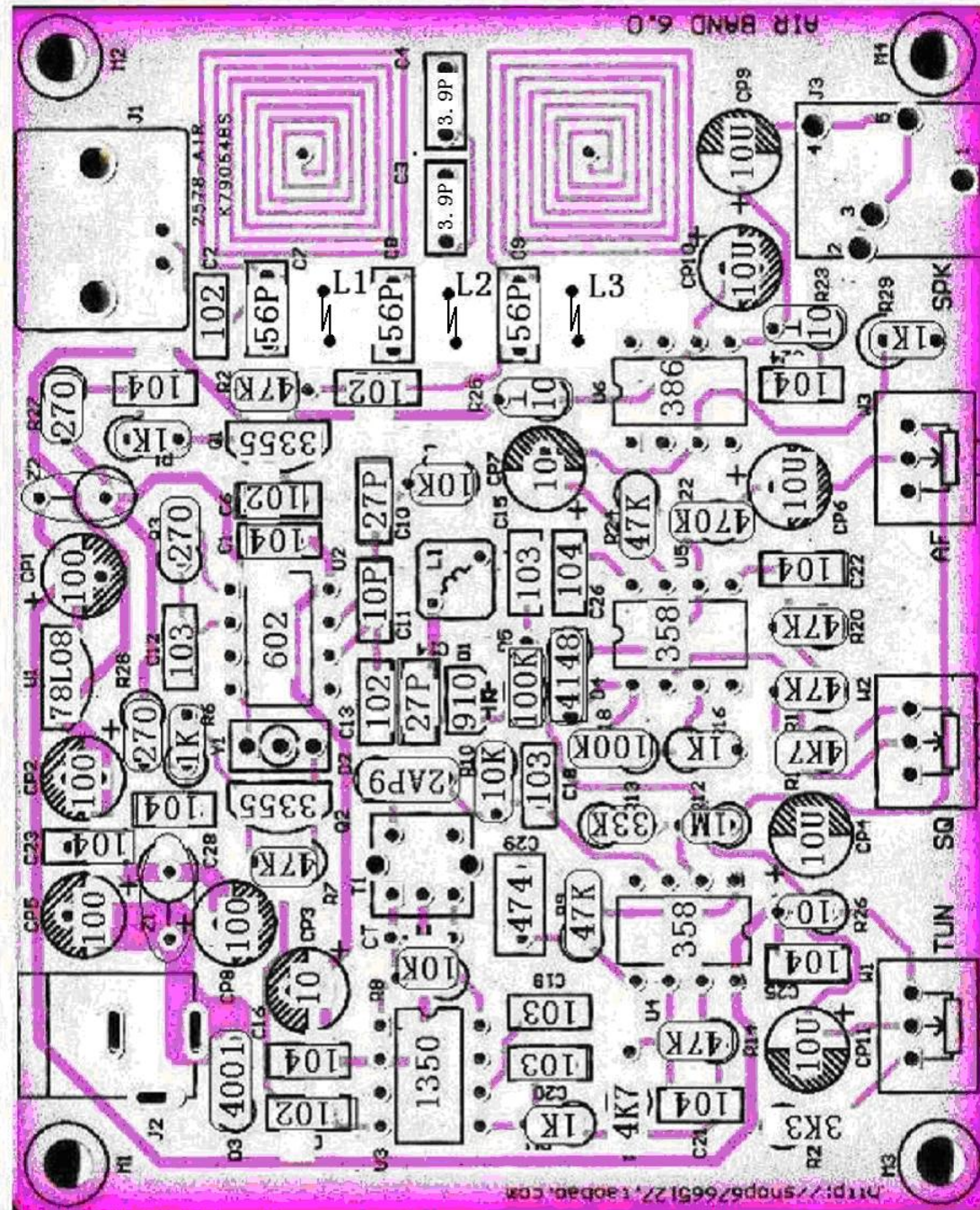
| 1/4W Fixed resistor | | | |
|---|---|-----|---|
| R1,R6,R11,R16,R29 | 1K | R21 | 3.3K |
| R2,R7,R9,R14,R17, R20, R24 | 47K | R22 | 470K |
| R3,R27,R28 | 270 | | |
| R4,R8,R10 | 10K | | |
| R5,R18 | 100K | | |
| R12 | 1M | | |
| R13 | 33K | | |
| R15, R19 | 4.7K | | |
| R23,R25,R26 | 10 | | |
| | | | |
| W1,W2,W3 | 10K | L1 | |
| |  | |  |
| | | | |
| T1 | 7X7-10.7MHz | |  |
| Z1,Z2 | Into the magnetic beads | |  |
| | | | |
| Ceramics capacitors | | | |
| C1,C16,C21,C22,C23,C24, C25,C26,C27,C28 | 0.1uF(104) | | |
| C2,C5,C6,C13,C17 | 1000pF(102) | | |
| C3,C4 | 3.9pF | | |
| C7,C8,C9 | 39p | | |
| C10,C14 | 27pF | | |
| C11 | 10pF | | |
| C12,C15,C18,C19,C20 | 0.01uF(103) | | |
| C29 | 0.47uF(474) | | |
| | | | |
| Electrolytic capacitor | | | |
| CP1,CP2,CP5,CP8 | 100uF /25V | | |
| CP3,CP4,CP7,CP9,CP10,CP11 | 10uF /25V | | |

| | | |
|-------------------------|--|--|
| CP6 | 10uF | |
| transistor | | |
| D1 | BB910 Insert the board please click screen printing direction |  |
| D2 | 2AP9 | |
| D3 | 1N4001 | D4 1N4148 |
| Q1,Q2 | 2SC3355 | |
| IC | | |
| U1 | 78L08 (TO92) | |
| U2 | NE602 OR 612 | |
| U3 | MC1350 OR 1490 | |
| U4,U5 | LM358 (DIP8) | |
| U6 | LM386 (DIP8) | |
| Ceramic filter | | |
| Y1 | 10.7MHz |  |
| Other components | | |
| J1 | BNC (Q9) | |
| J2 | DC | |
| J3 | 3.5mm | SPK) |
| PCB × 1 | | |
| | | |

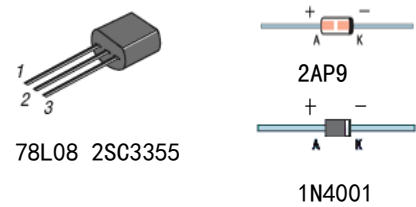
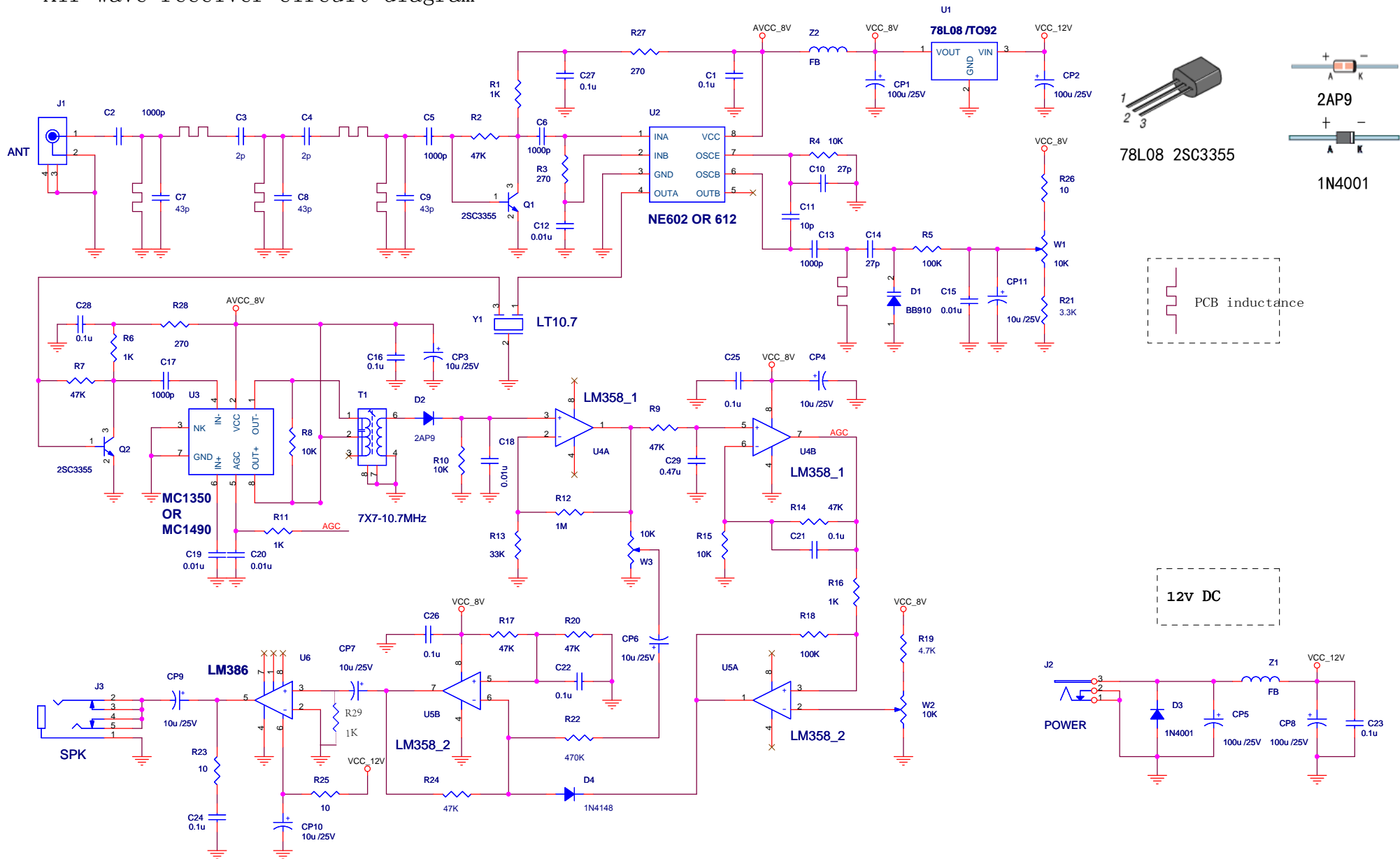
Note: when installing device parameters on the basis of this list. Parameters on the schematic diagram for reference only

Printed circuit board assembly

Note: when installing device parameters on the basis of this list. Parameters on the schematic diagram for reference only

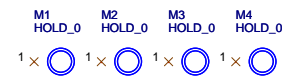


Air wave receiver circuit diagram



PCB inductance

12V DC



| | | |
|----------------|------------------------|--------------|
| Title | | |
| 01.MAIN | | |
| Size | Document Number | Rev |
| A3 | HM00ABRA_3 | 3.0 |
| Date: | Tuesday, June 25, 2013 | Sheet 1 of 1 |