

HelibEST MC400QUAD User Manual

Micro QUAD Flyer designed for Aerial Video Application

微型四軸飛行器組裝說明書

感謝您購買MC400QUAD！它是一款微型航拍四軸飛行器，由廣受好評的MC6500PRO 兩軸雲臺擴展而來。相對於中型、大型飛行器而言，MC400QUAD 具有體積小、重量輕、機動性強、續航時間長、安全性高等優勢，是會場記錄、演出表演、新聞採訪、狹小空間穿行等場合的理想拍攝工具。

Thank you for purchasing MC400QUAD. It is a micro QUAD Flyer specifically designed for aerial video application. It is developed from the popular MC6500PRO. Compared to other medium or large aircrafts, MC400QUAD has the following features: smaller size, lighter weight, higher mobility, longer flying time and higher security. It is an ideal aerial video tool for meeting records, performances, press conferences and shooting in limited space.

部品組成

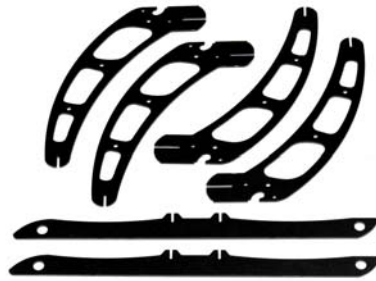
Packing List

A



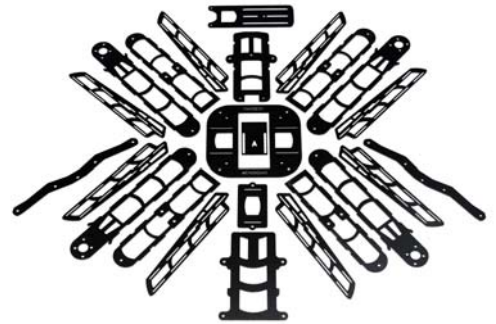
1xMC6500PRO Camera Gimbal
1x MC6500PRO 航拍雲臺

B



1x MC6500PRO-L (Landing Gear)
1x MC6500PRO-L (腳架組件)

C



1x MC6500PRO-A (MC400QUAD Frame)
1x MC6500PRO-A (MC400QUAD機身組件)

A+B=MC6500PRO V3L



for any flyer which no landing Gear



for 450EP R/C Helicopter

A+B+C=MC400QUAD



Complete picture of MC400QUAD

重要說明:

- 1. MC400QUAD 是由 MC6500PRO 雲臺 (需 3.0 以上版本) 和 MC6500PRO-L 以及 MC6500PRO-A 組件組合而成, 缺一不可。
- 2. MC400QUAD 不包括除舵機以外的其它電子設備, 要組成完整的飛行器您還需要另購: 飛控、馬達、電調、遙控器、電池、充電器等設備。
- 3. 請您仔細閱讀本組裝說明書, 以便順利安裝。

Important:

- 1. MC400QUAD is combined with MC6500PRO(3.0 version min) , MC6500PRO-L and MC6500PRO-A.
- 2. MC400QUAD does not include other electronic devices but two servos. if you want to assemble a complete aircraft, you need to purchase other devices, such as: flight control, motor, ESC, radio, battery, charger, etc.
- 3. Please carefully read the assembly instructions for a smooth assembly.

組裝 MC6500PRO-L Assemble the MC6500PRO-L



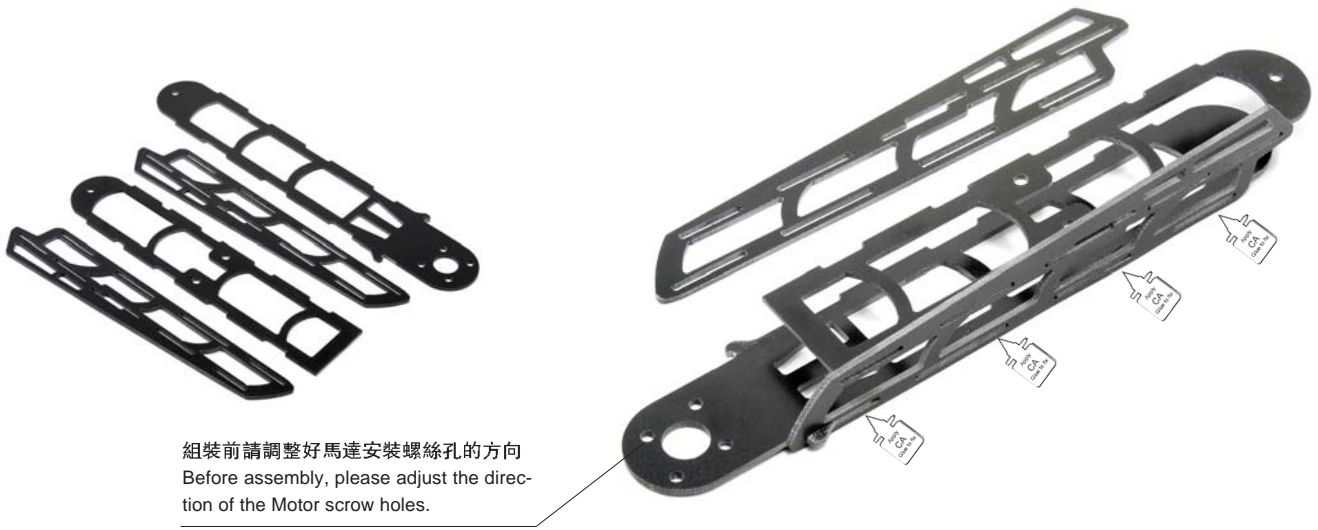
用于没有脚架的多轴飛行器
for any flyer which no landing Gear



用于各種 450 電動直升機
for 450EP R/C Helicopter



可直接卡緊安裝
Direct clamping installed

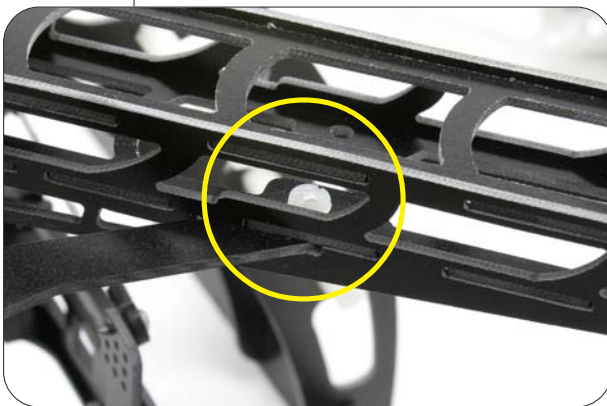




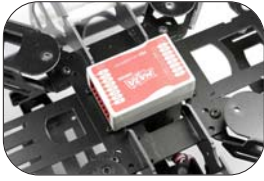
注意螺絲孔位
Attention to the position of screw holes



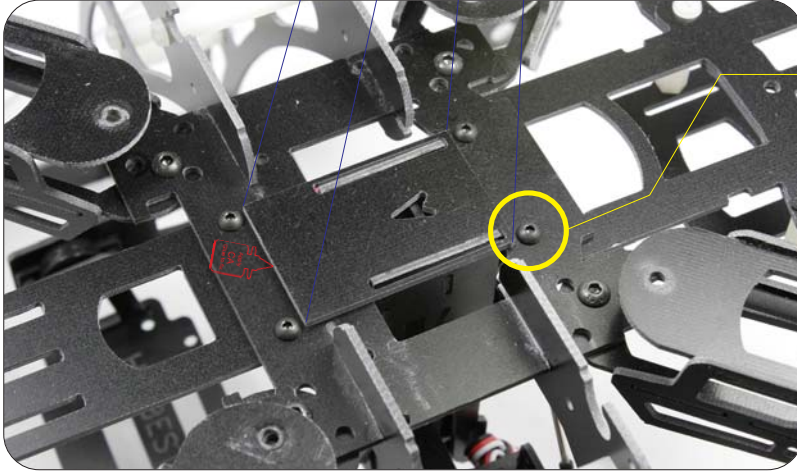
M3 x 6 圓頭內六角螺絲與螺母
M3 x 6 Socket Screw and Nut



M3 x 10 尼龍螺絲和螺母
M3 x 10 Nylon Screw and Nut



將設備承載板用膠水粘貼在雲臺頂部
Glue the Mounting Plate to the top of the Gimbal.



M2.5 x 6 圓頭內六角螺絲與螺母
M2.5 x 6 Socket Screw and Nut



M3 x 20 尼龍支柱
M3 x 20 Nylon Pillar

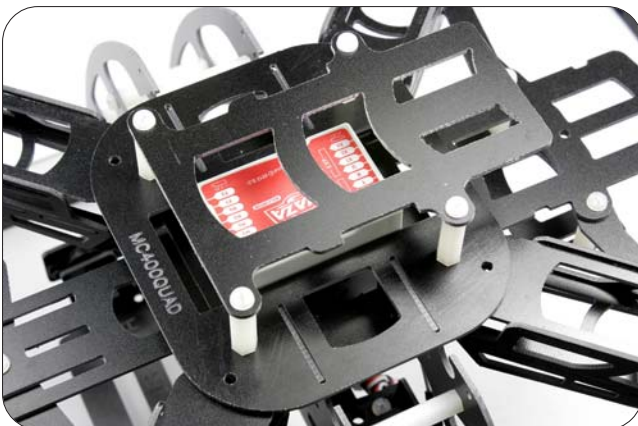


M3 x 10 尼龍螺絲
M3 x 10 Nylon Screw

M3 x 10 尼龍螺絲
M3 x 10 Nylon Screw

預裝好頂板和電池固定板
Assemble the Top Plate and Battery Plate.

M3 x 20 尼龍支柱
M3 x 20 Nylon Pillar



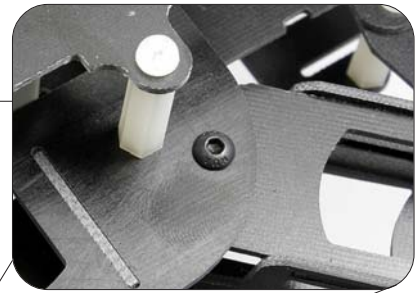
例子 1: 安裝 DJI NAZA 飛控
Example 1: Install the DJI NAZA F.C.



例子 2: 安裝 DJI WK-M IMU 模塊
Example 2: Install the DJI WK-M IMU Module



M3 x 6 圓頭內六角螺絲與螺母
M3 x 6 Socket Screw and Nut



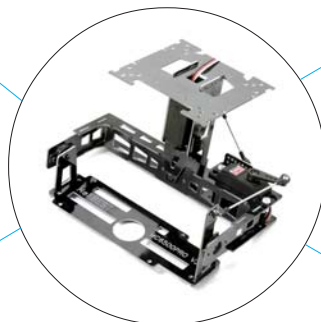
各組件的重量
The weight of MC400QUAD Parts



MC6500PRO-L 63.5g



MC6500PRO-A 162g



MC6500PRO V3 115g



MC6500PRO-V3L 179g



MC400QUAD 346g

MC400QUAD 的尺寸
The dimension of MC400QUAD

